




**EP EQUIPMENT** PRO  
**CQD16 PRO**

**LI-ION 80V REACH TRUCK 1.6T**

 1600 kg  9655 mm  80 V Li-Ion



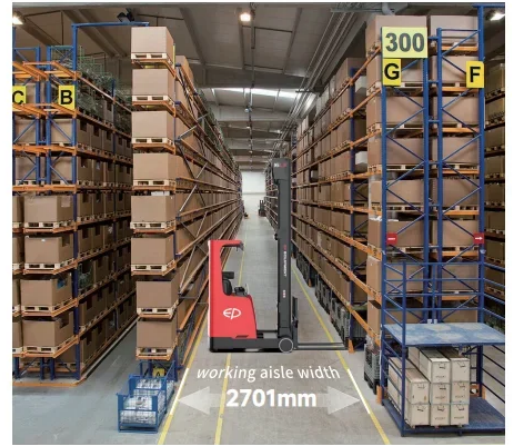
The CQD14/16 PRO series is ideal for high-density warehouses, logistics hubs, and distribution centers. Its optimized mast provides stability at full lift height, while proportional lifting ensures gentle and accurate handling of heavy or fragile goods. With a compact chassis and tight turning radius, it is well-suited for narrow aisles and space-restricted environments. Optional features such as cold storage configuration, safety lamps, and telematics make it adaptable to diverse industry needs.

SPECIFICATION	REF	UNIT	VALUE
Battery type			Li-Ion
Battery nominal capacity		Ah	150/205/280
Battery voltage		V	80
Load capacity	Q	kg	1600
Load centre distance	c	mm	600
Service weight		kg	4075
Retracted mast height	$h_1$	mm	3930
Lift height	$h_3$	mm	9655
Height, mast extended	$h_4$	mm	10720
Overall length		mm	2465
Overall width	$b_1/b_2$	mm	1250/1270
Length to face of forks	l2	mm	1265
Fork dimensions	s/e/l	mm	40/100/1150
Turning radius		Wa	1680
Operator type			Seated
Load distance, centre of drive axle to fork		mm	390

# Features

## Compact and agile design

With a working aisle width of just 2701 mm, the CQD14/16 PRO is perfectly suited for narrow aisles and high-density racking. Its small turning radius adds agility, making it highly competitive in space-constrained warehouses.



## Enhanced mast stability

The optimized mast reaches up to 8 m (CQD14 PRO) and 9.65 m (CQD16 PRO), ensuring stability even under heavy loads. High residual capacity at full height guarantees consistent performance in demanding operations.

## Efficient Li-ion power system

Powered by an 80V Li-ion battery (150–280Ah), the series supports fast lifting and lowering speeds and offers convenient external charging. The Li-ion system enables opportunity charging and eliminates battery maintenance.



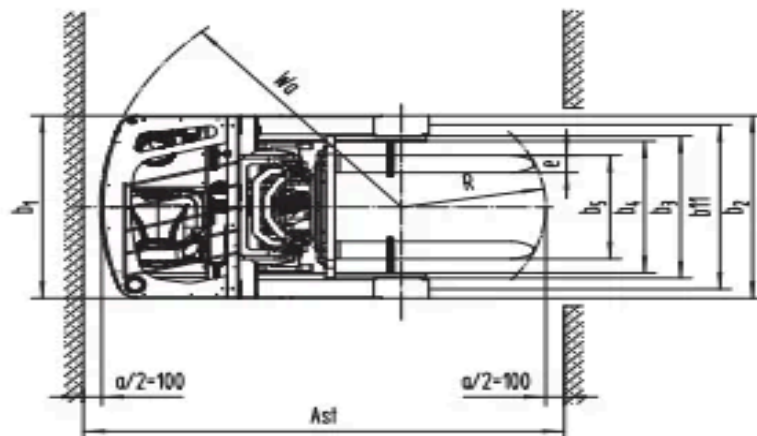
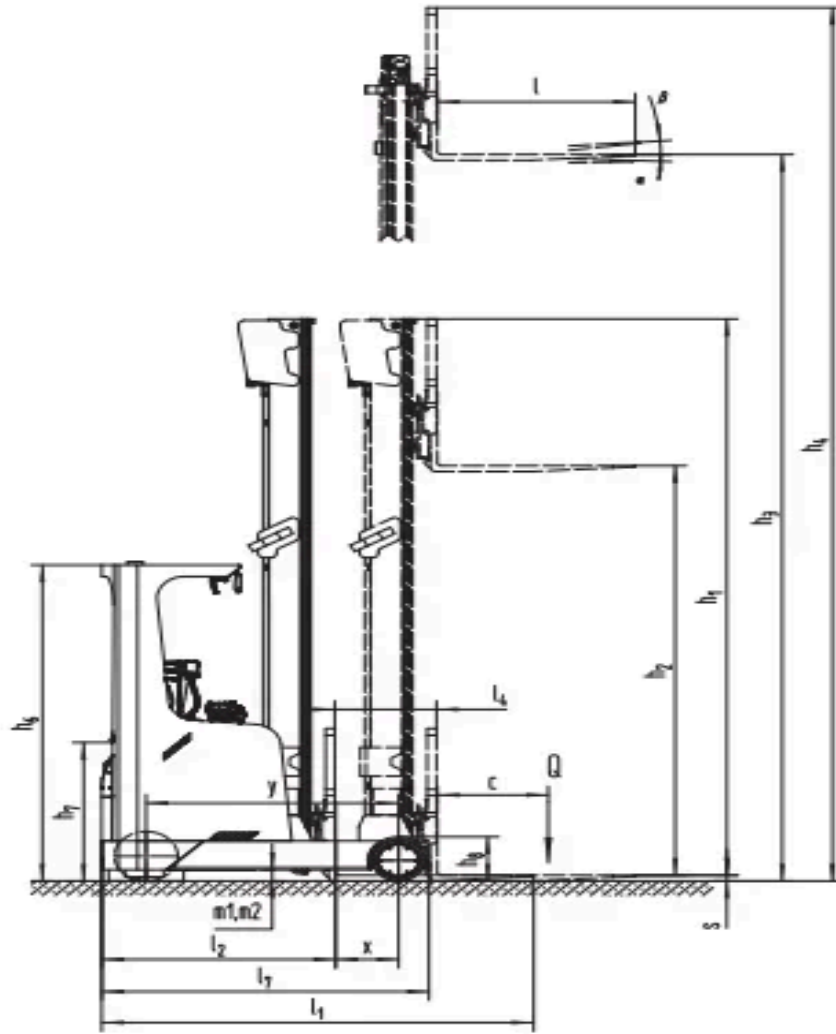
## Operator-focused ergonomics

A spacious cab with unobstructed visibility, electronic steering with damping, and fingertip or joystick controls enhance safety and comfort. Features like proportional lifting and full-color display provide precise handling and ease of use.

# VDI Chart

	SPECIFICATION	REF	UNIT	VALUE
1.4	Operator type			Seated
1.5	Load capacity	Q	kg	1600
1.6	Load centre distance	c	mm	600
1.8	Load distance, centre of drive axle to fork		mm	390
1.9	Wheelbase		mm	1415
2.1	Service weight		kg	4075
2.2	Axle loading, laden front/rear		kg	1045/4775
2.3	Axle loading, unladen front/rear		kg	2580/1500
3.1	Tyre type			Polyurethane
3.2	Tyre size, front		mm	Φ343×140
3.3	Tyre size, rear		mm	Φ285×100
3.4	Additional wheels (castor wheels)		mm	-
3.5	Wheels, number front/rear (x=drive wheels)			1x/2
3.6.1	Tread width, front	b <sub>10</sub>	mm	-
3.7.1	Tread width, rear	b <sub>11</sub>	mm	1168
4.0	Max lift height	H	mm	9655
4.1	Tilt of mast/fork carriage forward/backward		°	2/4
4.10	Height of wheel arms		mm	308
4.14	Stand height, elevated			9655
4.19	Overall length		mm	2465
4.2	Retracted mast height	h <sub>1</sub>	mm	3930
4.20	Length to face of forks	l <sub>2</sub>	mm	1265
4.21	Overall width	b <sub>1</sub> /b <sub>2</sub>	mm	1250/1270
4.22	Fork dimensions	s/e/l	mm	40/100/1150
4.23	A,B Fork carriage class/type A, B			2A
4.24	Fork carriage width		mm	990
4.26	Distance between wheel arms/loading surfaces			917
4.3	Free lift		mm	2877
4.31	Ground clearance, laden, below mast		mm	75
4.32	Ground clearance, centre of wheelbase		mm	70
4.34.1	Aisle width for pallets 1000×1200 crossways		Ast	2715
4.34.2	Aisle width for pallets 800×1200 lengthways		Ast	2760

SPECIFICATION		REF	UNIT	VALUE
4.35	Turning radius		Wa	1680
4.4	Lift height	h <sub>3</sub>	mm	9655
4.5	Height, mast extended	h <sub>4</sub>	mm	10720
4.7	Height of overhead guard (cabin)		mm	2200
4.8	Seat height/standing height		mm	1000
5.1	Travel speed, laden/unladen		km/h	11/11
5.10	Service brake			Electromagnetic
5.11	Parking brake			Electromagnetic
5.2	Lifting speed, laden/unladen		m/s	0.42/0.6
5.3	Lowering speed, laden/unladen		m/s	0.55/0.5
5.8	Max. gradeability, laden/unladen		%	10/15
6.1	Drive motor rating S2 60 min		kW	8
6.2	Lift motor rating at S3 15%		kW	22
6.4	Battery nominal capacity		Ah	150/205/280
6.4	Battery voltage		V	80
6.4.1	Battery type			Li-Ion
6.5	Battery weight		kg	149/180/209
6.6	Energy consumption according to DIN EN 16796		kWh/h	according to DIN EN 16796
6.7	Turnover output according to VDI 2198			Turnover output according to VDI 2198
6.8	Turnover efficiency according to VDI 2198			Turnover efficiency according to VDI 2198
8.1	Type of drive control			AC
10.5	Steering design			Electronic
10.7	Sound pressure level at the drivers ear		dB(A)	70
15.1	Charger output current		A	100



# Mast Options

MAST TYPE	LIFT HEIGHT (H3, MM)	MAST LOWERED HEIGHT (H1, MM)	MAST EXTENDED HEIGHT, NO BACKREST (H4, MM)	MAST EXTENDED HEIGHT, WITH BACKREST (H4, MM)	FREE LIFT HEIGHT, NO BACKREST (H2, MM)	FREE LIFT HEIGHT, WITH BACKREST (H2, MM)
3-Free Mast	4000	1968	4730	5065	1044	915
3-Free Mast	4500	2138	5230	5565	1214	1085
3-Free Mast	5000	2303	5730	6065	1380	1250
3-Free Mast	5500	2468	6230	6565	1544	1415
3-Free Mast	6000	2638	6730	7065	1714	1585
3-Free Mast	6500	2810	7230	7565	1888	1757
3-Free Mast	7000	3048	7730	8065	2124	1995
3-Free Mast	7500	3218	8230	8565	2294	2165
3-Free Mast	8000	3383	8730	9065	2460	2330
3-Free Mast	8500	3603	9230	9565	2680	2550
3-Free Mast	9000	3768	9730	10065	2844	2715
3-Free Mast	9655	3930	10385	10720	3008	2877

# Options

ITEM	OPTIONS (optional items marked in yellow)
Fork dimension	100*40*1150   100*40*920   100*40*1070   100*40*1220   100*40*1370   100*40*1520
Leg width	917
Fork carriage width option	770mm
Load wheel type	Single
Seat type	Suspension   Suspension +safety belt logic switch
Attachments	Built-in sideshifter
Electrostatic chain	Yes
Load wheel material	PU
Drive wheel material	PU
Charger	80V-150A-Li external   80V-100A-Li external

ITEM	OPTIONS (optional items marked in yellow)
Area warning lamp	No   Yes and not customized
Rearview mirror	Yes
Buzzer	No   Yes and not customized
OPS system	Yes and not customized
Telematics	Yes
Castor wheels	No   Yes and not customized
Front lamp	LED
Rear lamp	No   LED
Warning lamp	No   Yes and not customized
Cold storage	No   Yes and not customized
Overhead guard	Yes   Drive-in
Turn speed control	Yes
Operator identification device	No   Card reader   Fingerprint lock
Load backrest height	1020mm